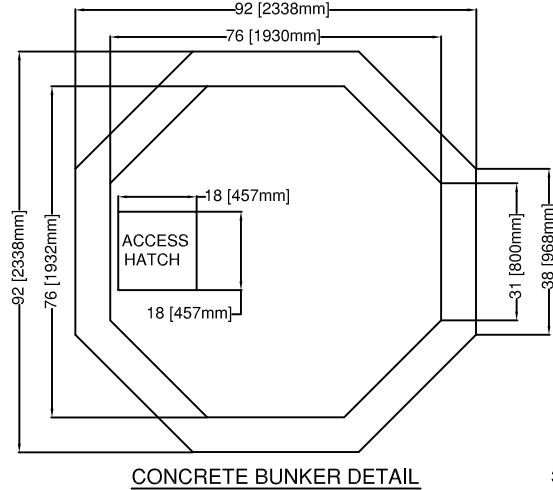
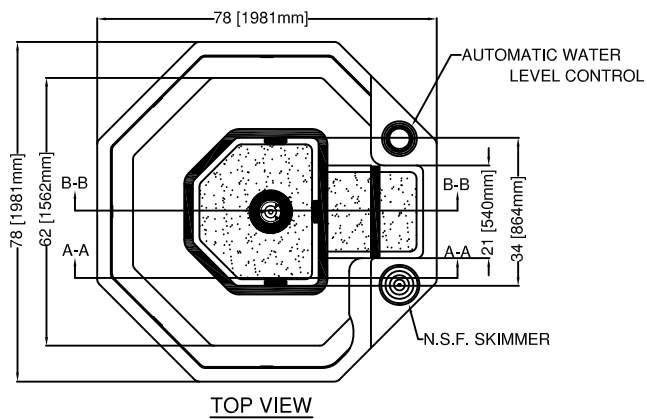


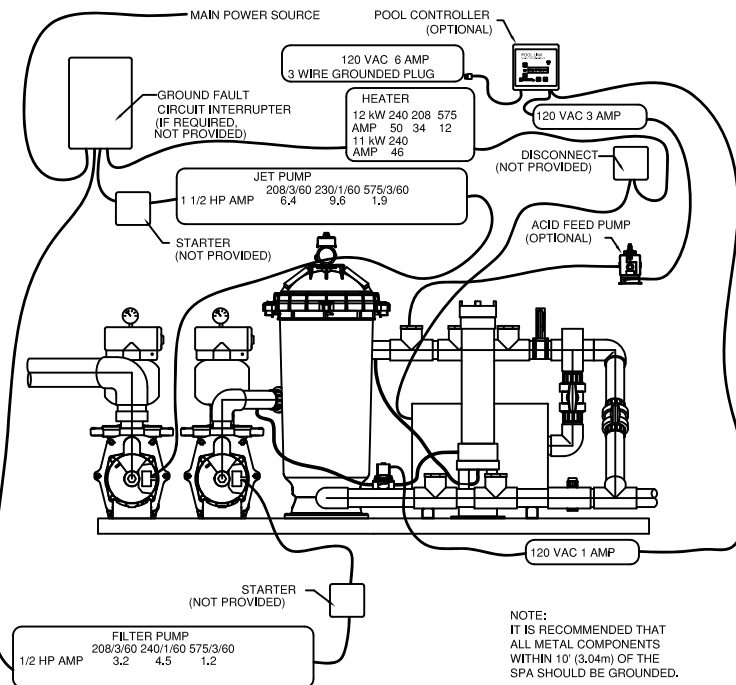
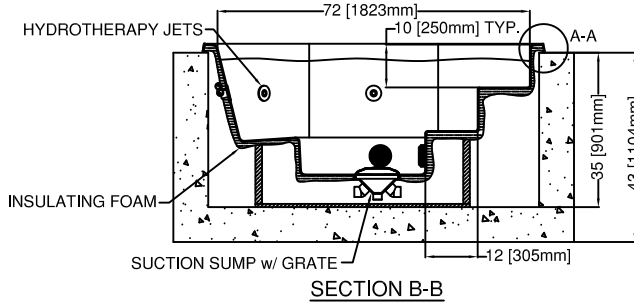
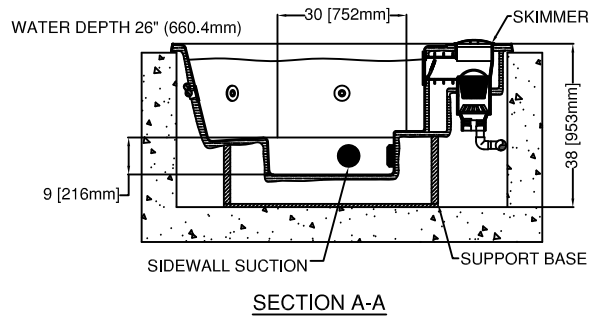
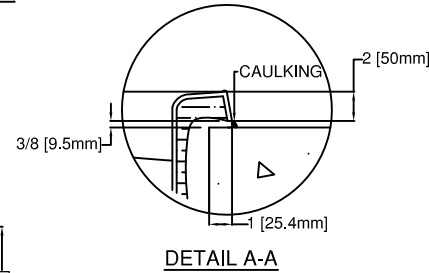
SHELL DIMENSIONS

Dimensions may differ up to 1/2" (1.27mm) between Spas. Exact measurements should be obtained from delivered unit.

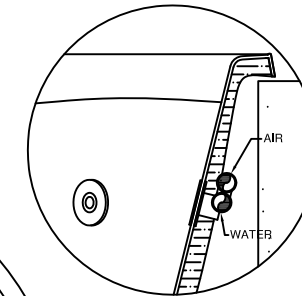
LENGTH	WIDTH	HEIGHT	VOLUME:	SHELL WEIGHT EMPTY	SHELL WEIGHT FULL	SURFACE AREA	All equipment UL and UL-C approved. All fittings N.S.F. and ANSI/ASME LISTED.
78" [198cm]	78" [198cm]	38" [96.5 cm]	@375 GI / 1420 Lt.	680 lbs / 309 kg	3804 lbs / 1727 kg	26 sq.ft [2.41sq.m]	



RIGID PLUMBING AVAILABLE AS UPGRADE



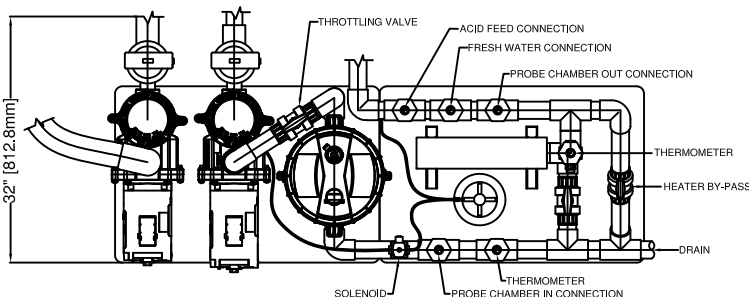
NOTE: IT IS RECOMMENDED THAT ALL METAL COMPONENTS WITHIN 10' (3.04m) OF THE SPA SHOULD BE GROUNDED.



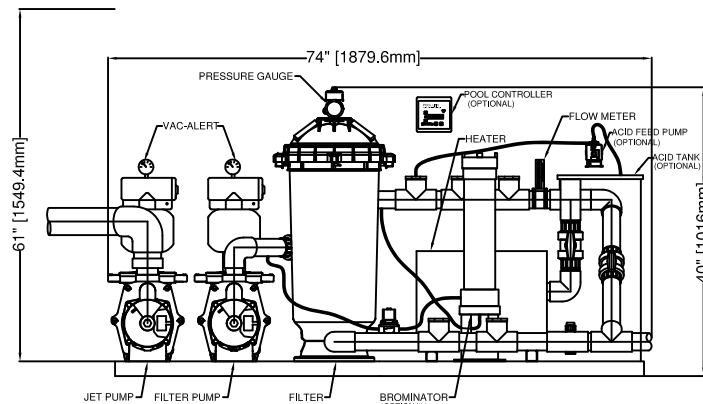
DETAIL B-B
Typical Single Jet Configuration

HYDRAULIC DESIGN

SPA VOLUME	375 usg
	1420 Litre
TURNOVER	14 minutes
FILTER FLOW RATE	27 usgpm @ 60' T.D.H.
	122.7 LPM @ 17.92 M hd
FILTER AREA	100 sq.ft.
	9,281 sq.m.
OPERATING @	.270 usgpm/sq.ft.
	@ .18 L / S/ M ²
FILTER PUMP	1/2 hp
5 HYDROTHERAPY FITTINGS	
5 LARGE OPERATING @	13 usgpm/ 49.2 Lpm
HYDROTHERAPY FLOW RATE	65 usgpm @ 60' TDH
	283.9 LPM @ 17.92 M hd
HYDROTHERAPY PUMP	1 1/2 hp
TOTAL FLOW RATE	92 usgpm/348.3 Lpm
TOTAL OPEN AREA OF MAIN DRAINS	61.45 sq.in./ 396.4 sq.cm.
VELOCITY THROUGH MAIN DRAINS	.48 ft.sec/ 0.1463m. sec



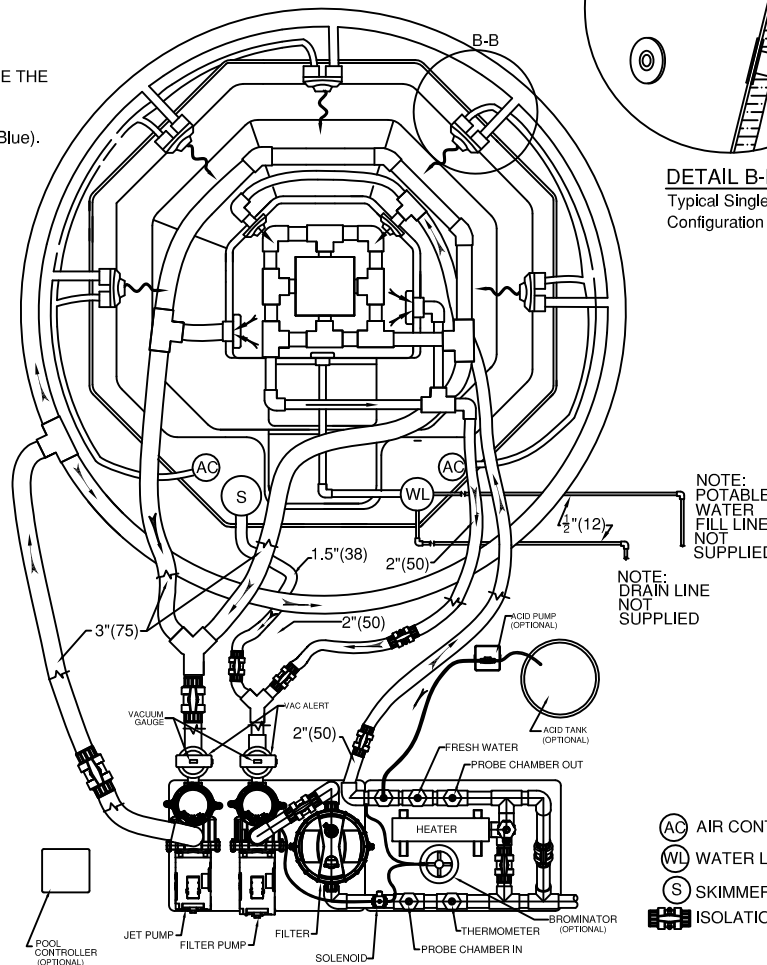
NOTE: Connections will only be present if the chemical control system option is selected



NOTE: Mechanical support systems requires a minimum top clearance of 61" to service the cartridge filter

SPECIFICATIONS

- The shell of the hot tub shall be manufactured of vacuum formed acrylic (.187 sheet) in one of two colours; Biscuit (Ivory Bone), Caribbean Quarite (Medium Blue). Hot tub shell overall dimensions: are 78" x 78" x 38" deep. See dimensional information on this sheet.
- The acrylic shall be further reinforced with fiberglass resins but may require additional on-site bracing supports (customer's responsibility) under the steps and seats.
- The shell shall have the following fittings:
 - 5 Large hydrotherapy jets
 - 1 Wide mouth skimmer, (N.S.F. Listed)
 - 1 Built in bottom drain sump with removable grate
 - 2 Side wall suction fittings (ANSI/ASME A112.19.M Listed)
 - 2 Air control valves
 - 1 Water level fitting
 - 2 Filtered water return inlets
- The hot tub will be insulated with a coating of polyurethane foam, factory plumbed and hydrostatically tested.
- Recommended HCSP 1 mechanical support system will be shipped on a separate plastic base and shall consist of:
 - QTY. 1 1/2hp filter pump (N.S.F. Listed)
 - 1 100 sq.ft. cartridge filter (N.S.F. Listed)
 - 1 1/2 hp hydrotherapy booster pump (N.S.F. Listed)
 - 1 11kW or 12 kW (If 3 phase option is selected) electric heater c/w flow switch
 - 2 Inline thermometers c/w thermowell
 - 1 Inline flowmeter
 - 1 Water level controller with overflow (located at the shell)
- Optional Equipment
 - QTY. 1 Handrail with anchor and escutcheon plates or deck flange (Optional)
 - 1 Chemistry control pack (Optional)
 - 1 Acid feed pump with 15 gal solution tank c/w lid (Optional)
 - 1 15 Minute timer for jet pump c/w contactor (Optional)
 - 1 Audio/Visual Alarm Beacon (Optional)
 - 2 VA2000 Vacuum Release devices (ASME A112.1917-2002 Listed) (Optional)
- Warranties shall be 5 year on the shell structure, 2 years on the acrylic surface and one year on the plumbing, labor, accessories and parts. On-site plumbing is NOT covered.
- Installation items NOT covered by this specification and considered "by others" are Plumbing between the spa shell and mechanical equipment location. Electrical connections, motor, heater and component connections including motor starters, timers, push/pull switches, A/V alarm, grounding of all electrical components and GFCI's. Decking and access steps including deck drains. Supports under the seats and steps of the shell.



- (AC) AIR CONTROL
- (WL) WATER LEVEL CONTROL
- (S) SKIMMER
- (ISOLATION VALVE)

NOTE: IT IS THE RESPONSIBILITY OF THE INSTALLER/OWNER TO VERIFY THAT THE SPA, EQUIPMENT AND SYSTEMS COMPLY WITH CODE REQUIREMENTS.

*Optional Sand Filter Available upon request please discuss with a Hydrother Representative



This drawing and the ideas, concepts, illustrative and written information represented thereby are the confidential and proprietary property of HYDROTHER. Reproduction of all or any part of this drawing or prints thereof, or any other unauthorized utilization of any confidential and proprietary property contained herein without the permission of HYDROTHER, is forbidden.

No.	Date	Description

No.	Date	Description

HYDROTHER
135 MATHESON BLVD. E.
MISSISSAUGA, ONTARIO
CANADA
L4Z 1R2

www.hydrother.com

Project	
Title HYDROTHER Model H - 600 C 2015 Model Year	
Drawn By	ADB
Scale	n.t.s.
Date	APR. 02/12
Ch'd By	DP
Job No.	1